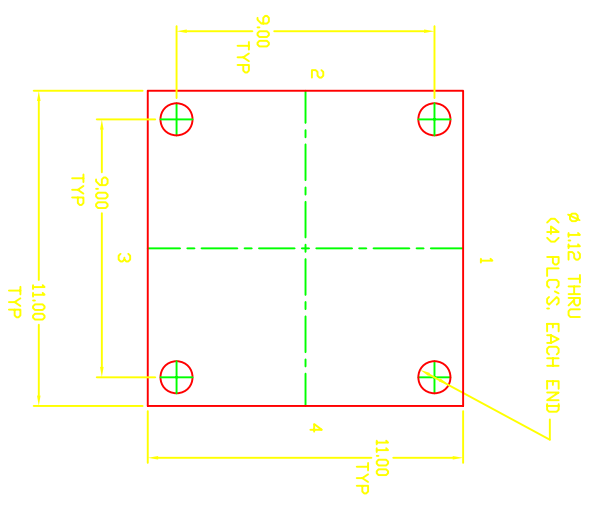
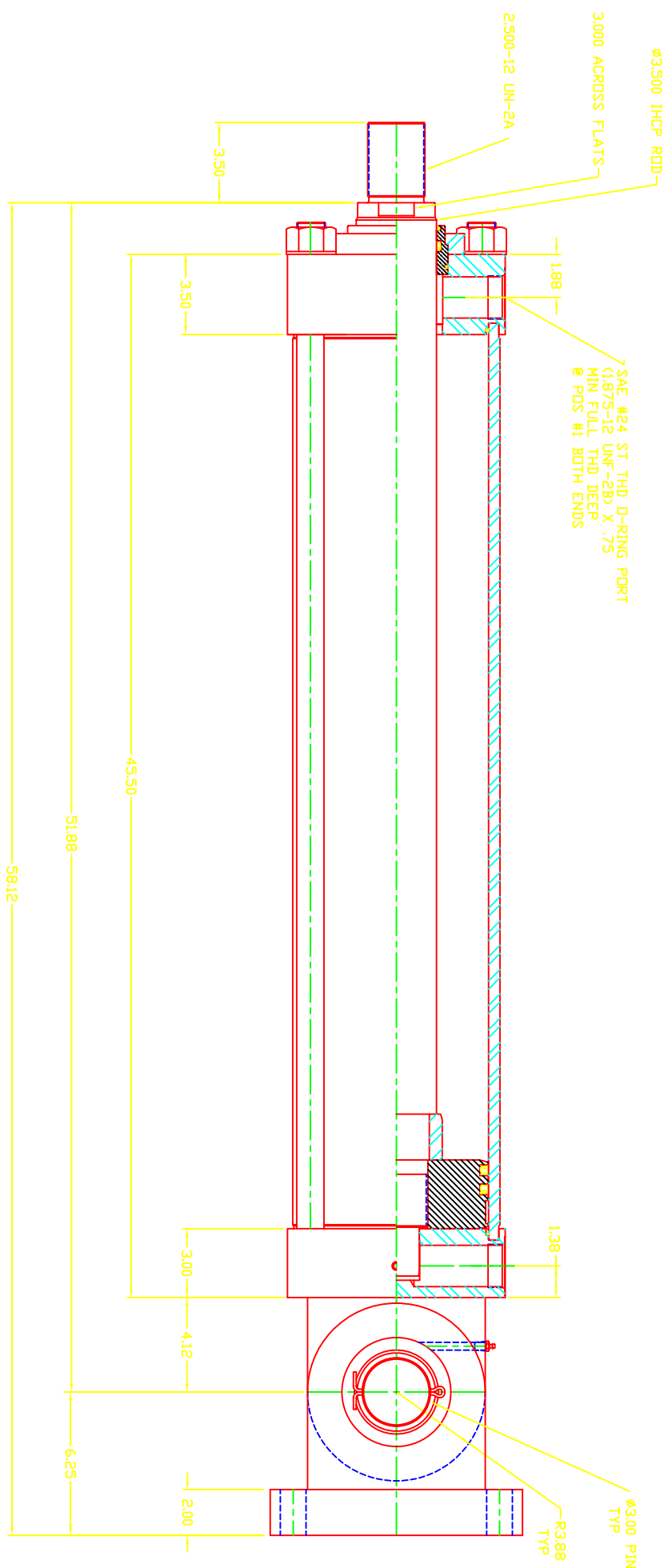
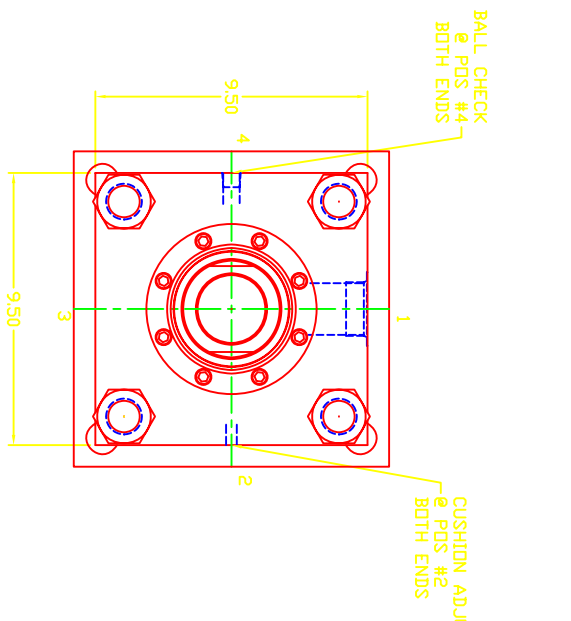
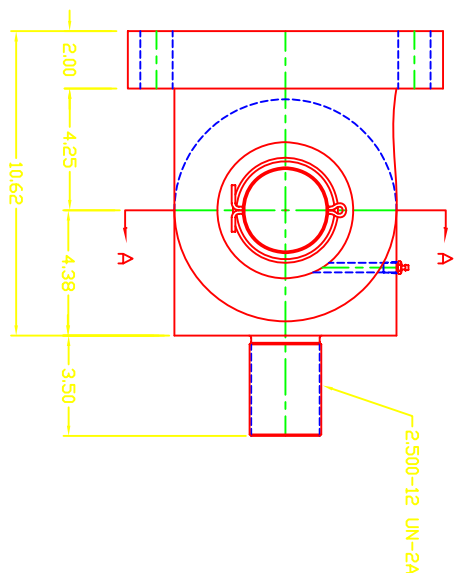
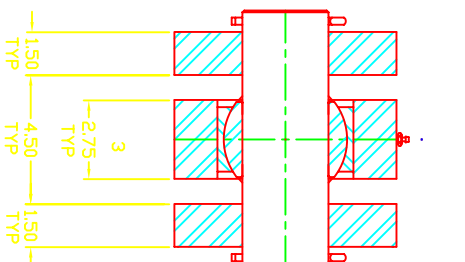


NOTE:

- 1) APPROXIMATE CYLINDER WEIGHT = 640 LBS.
- 2) CYLINDER RATED PRESSURE = 3000 PSI
- 3) LOCTITE PISTON TO ROD PER ES 0012
- 4) TIE ROD NUT TORQUE = 1100 FT. LBS.
- 5) PACKING CAP SCREW TORQUE = 60 FT. LBS.
- 6) SPHERICAL BEARING = SKF GEZ-300-ES (2) REQ'D.
- 7) PAINT CYL. IN ACCORDANCE WITH ES0049-9
- 8) SEAL KIT P/N: 50807350
- REPAIR KIT P/N: 50807351



THIS DRAWING AND ALL THE INFORMATION THEREON IS THE PROPERTY OF ATLAS CYLINDERS. IT IS LOANED CONFIDENTIAL AND NOT TO BE REPRODUCED OR TRANSMITTED IN ANY FORM OR BY ANY MEANS, ELECTRONIC OR MECHANICAL, INCLUDING PHOTOCOPYING, RECORDING, OR BY ANY INFORMATION STORAGE AND RETRIEVAL SYSTEM. WITHOUT THE WRITTEN PERMISSION OF ATLAS CYLINDERS, NO PART OF THIS DRAWING MAY BE REPRODUCED OR TRANSMITTED IN ANY FORM OR BY ANY MEANS, ELECTRONIC OR MECHANICAL, INCLUDING PHOTOCOPYING, RECORDING, OR BY ANY INFORMATION STORAGE AND RETRIEVAL SYSTEM. IT IS THE USER'S RESPONSIBILITY TO OBTAIN ALL NECESSARY PERMITS AND APPROVALS FOR THE USE OF THIS DRAWING IN THE USER'S APPLICATION. THE USER ASSUMES ALL LIABILITY FOR THE PROPER USE AND APPLICATION OF THE INFORMATION AND ASSURES THAT ALL PERFORMANCE, SAFETY AND WARNING REQUIREMENTS OF THE APPLICATION ARE MET.

PROPERTY	VALUE	PROPERTY	VALUE	PROPERTY	VALUE
SERIES	H	MODEL	SA	DRAWN	NU
STROKE	8.00	STROKE	36.00	ENGR	NU
ROD DIAMETER	3.5000	HYD		CHECKED	DM
WORKING PRESSURE	3000 PSI	TEST PRESSURE	4500 PSI	APPROVAL	LB

ATLAS CYLINDERS

ASSEMBLY UC BERKELEY

ATLAS CYLINDER DIVISION

2500 Airport Road
Berkeley, CA 94705-1166
908-859-4634

1825 Broadway St. SE
Kent, WA 98032-3146
206-835-1166

REV	EDD NO.	BY	APP	DATE
A	ES6897	NU	LB	6-8-98

SCALE: NONE

APPROX. WT.: 640 LBS.

DWG/PART NO: 50807301

REV: A